

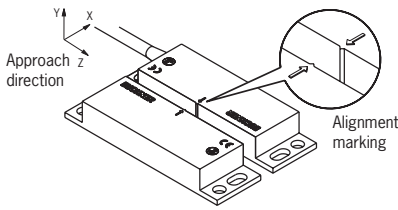
Read heads and actuators design A



- ▶ For use with evaluation unit CMS-E-AR
- ▶ Cube-shaped version 88 x 25 mm
- ▶ With connection cable



Alignment of read head and actuator

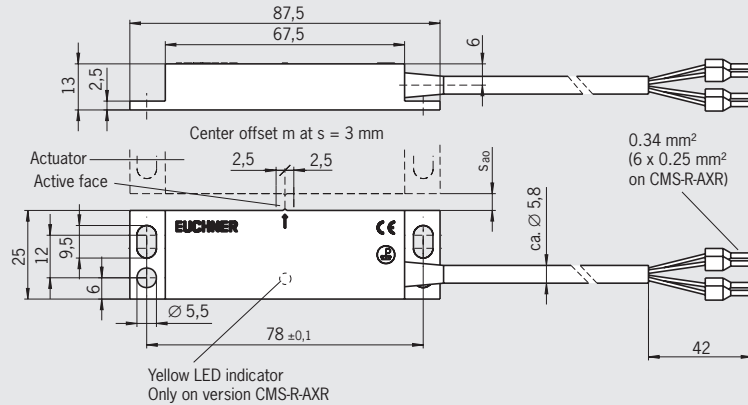


Note:

The dimensions of the actuators are the same as those of the read heads, although the former have no connection cable or plug connector.

Read heads/actuators design A

Dimension drawing



Ordering table (Read heads and actuators each incl. 2 safety screws M4 x 14)

Circuit diagram not actuated	Assured switch-on distance s_{so} [mm]	Assured switch-off distance s_{ar} [mm]	Cable type	Cable length [m]	Read head Order no./item	Actuator Order no./item
	6	18	V PVC	3	084583 CMS-R-AXD-03V	084591 CMS-M-AB
			P PUR	5	085732 CMS-R-AXD-05V	
	18	34	V PVC	5	103858 CMS-R-AXD-05P	
			P PUR	5	102385 CMS-R-AXE-01V	
	6	18	V PVC	3	084584 CMS-R-AXE-03V	085654 CMS-M-AG
			P PUR	5	085733 CMS-R-AXE-05V	
	18	34	V PVC	5	103859 CMS-R-AXE-05P	
			P PUR	5	084585 CMS-R-AXF-03V	
	9	23	V PVC	3	085734 CMS-R-AXF-05V	084591 CMS-M-AB
			P PUR	5	103860 CMS-R-AXF-05P	
	18	34	V PVC	5	084586 CMS-R-AXG-03V	
			P PUR	5	085735 CMS-R-AXG-05V	
7	15	V PVC	5	103861 CMS-R-AXG-05P	085654 CMS-M-AG	
		P PUR	5	093975 ¹⁾ CMS-R-AXR-05VL		
				5	103863 ¹⁾ CMS-R-AXR-05PL	093976 CMS-M-AI

1) No approvals